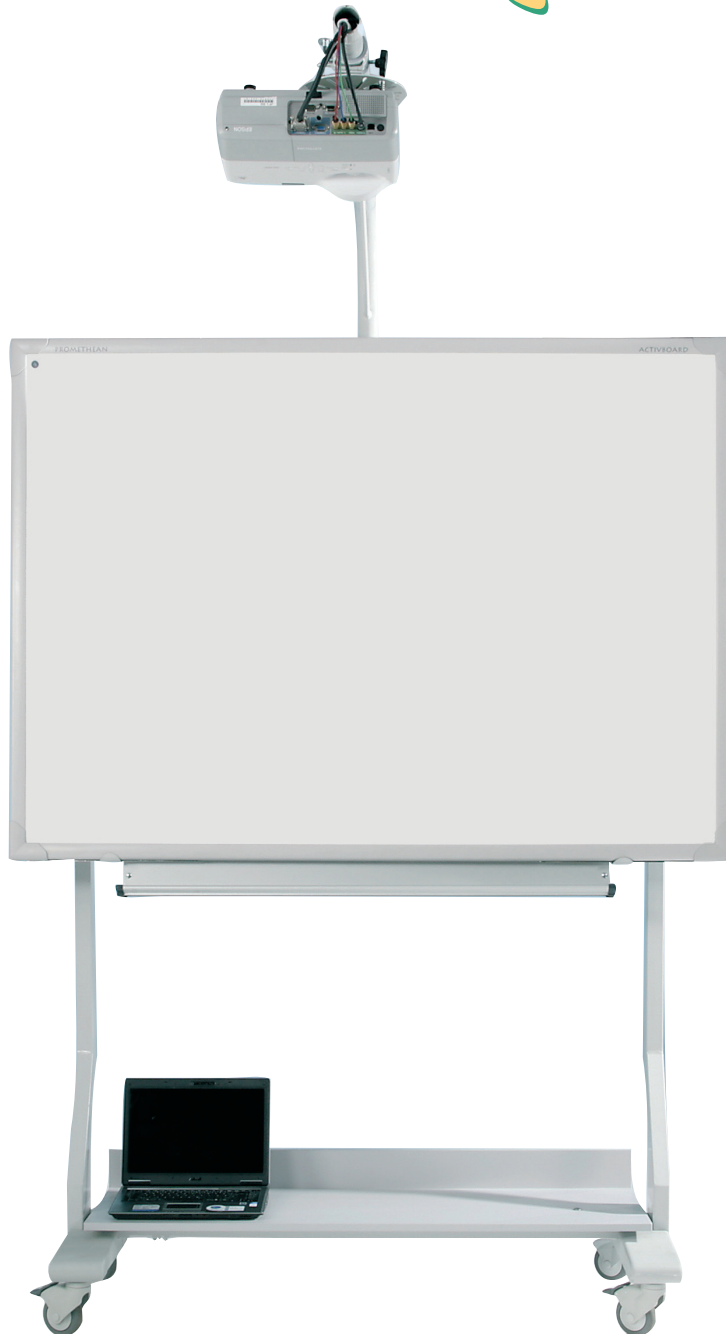


# CONEN<sup>®</sup>

Freude am Lernen...  
Joy in Learning...



---

**CONEN<sup>®</sup>** Height adjustable system  
**Technical Specifications**

---

**System for Activboard 78" and PRM-10: mobile stand, height adjustable system and projector mount****System data**

Mobile stand (AB-Fahr):	Mobile stand for HVL spring mechanism with four 100 mm casters, two with brake
Height adjustment (HVL):	Spring mechanism for use without whiteboard wings. Carries 78" Promethean Activboard <b>Promethean Activboard 78":</b> width: 169,5 cm x height: 124,5 cm x depth: 3 cm; weight: 19,5 kg / 42.99 lbs width: 66.73" x height: 49.02" x depth: 1.18" weight: 19,5 kg / 42.99 lbs
Projector mount (G1):	Projector arm and mount for short throw projectors. Carries Promethean PRM-10 weight: 3,4 kg / 7.50 lbs
PC shelf (PC-Ablage):	Shelf for notebook, desktop or speakers. To be mounted on the mobile stand
Component parts:	Mobile stand (AB-Fahr) + spring mechanism (HVL) + projector mount (G1) + PC shelf (PC-Ablage)
Packaging units:	Unit 1: mobile stand (AB-Fahr) + Unit 2: spring mechanism (HVL) + Unit 3: projector mount (G1) + Unit 4: PC shelf (PC-Ablage)
Required ceiling height:	265 cm / 104.33" (HVL fixed to upper holes of mobile stand) 253 cm / 99.61" (HVL fixed to lower holes of mobile stand)

**Required ceiling height:**

The mobile stand offers two positions for mounting the height adjustable spring mechanism, enabling the system to be adapted to the actual ceiling height and door opening.

If the mobile system is to be moved from room to room and the door openings exceed the 200 cm / 78.74" height, and the ceiling height exceeds 265 cm / 104.33", the spring mechanism can be mounted in the upper position (required ceiling height: 265 cm / 104.33" (HVL fixed to upper holes of mobile stand))

For rooms with a door opening less than 200 cm / 78.74" and with a ceiling height of less than 260cm / 102.36" the spring mechanism is to be mounted in the lower mounting position (required ceiling height: 253 cm / 99.61" (HVL fixed to lower holes of mobile stand))

**System for Activboard 78" and PRM-10: mobile stand, height adjustable system and projector mount****Mobile stand (AB-Fahr)**

Weight	24,5 kg / 54.01 lbs
Dimensions	width .....142,5 cm.....56.1" height .....163 cm.....64.17" depth .....65 cm .....25.59"
Package weight	29,2 kg / 64.37 lbs
Package size	width .....165 cm.....64.96" height .....20 cm.....7.87" depth .....67,5 cm .....26.57"

**Spring mechanism (HVL)**

Board size	Carries 78" Promethean Activboard width: 169,5 cm x height: 124,5 cm x depth: 3 cm; weight: 19,5 kg / 42.99 lbs width: 66.73" x height: 49.02" x depth: 1.18" weight: 19,5 kg / 42.99 lbs
Height adjustment range	Height adjustable frame with 470 mm slide way
Weight	36,3 kg / 80.03 lbs
Dimensions	width .....170 cm.....66.93" height .....136 cm.....53.54" depth .....21 cm .....8.27"
Package weight	45,4 kg / 100.09 lbs
Package size	width .....175 cm.....68.90" height .....18 cm.....7.09" depth .....104 cm .....42.52"

**Projector mount (G1)**

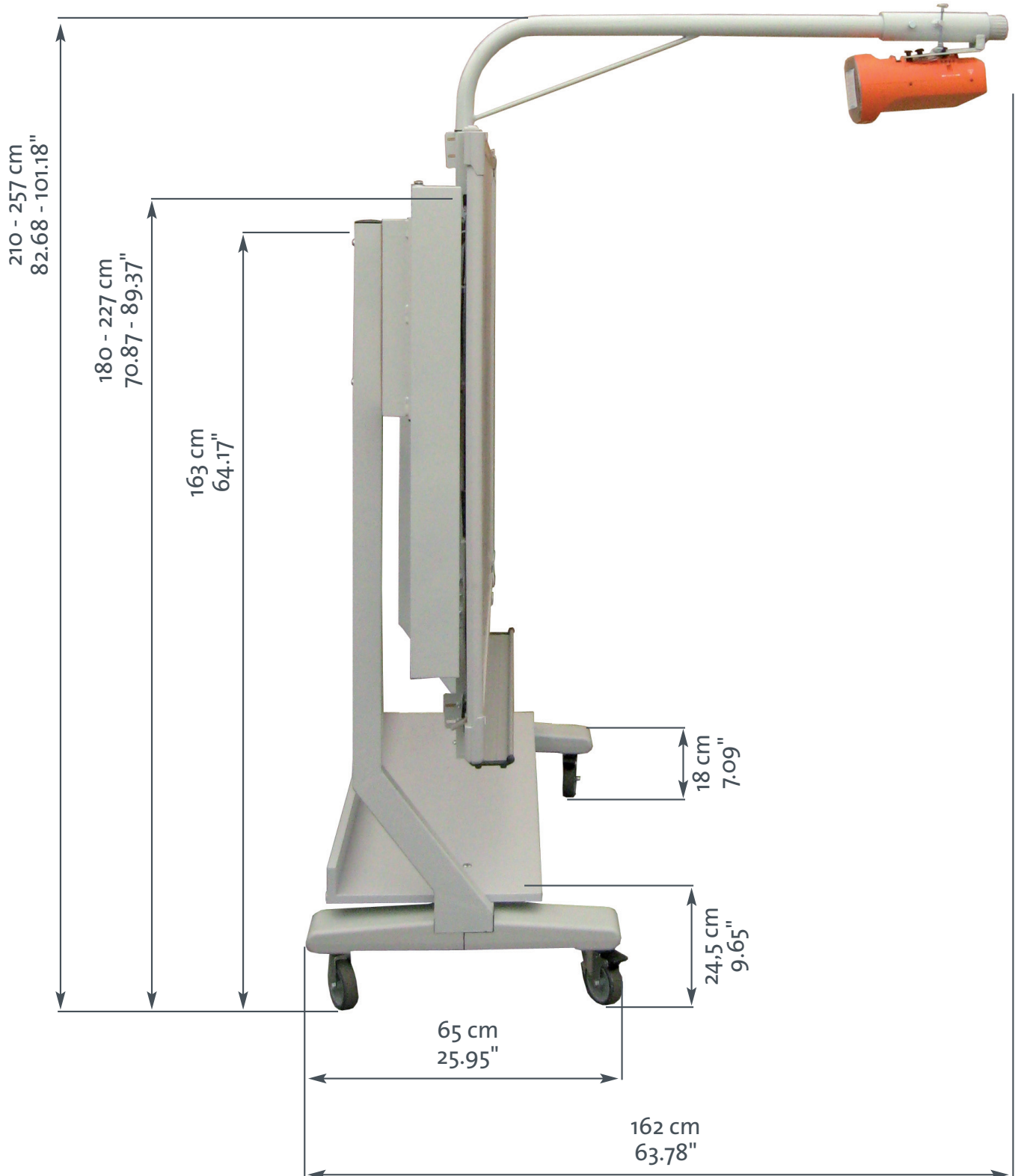
Projector	Promethean PRM-10. Weight 3,4 kg / 7.50 lbs
Weight	7,7 kg / 15.87 lbs
Dimensions	width .....60 cm .....23.62" height .....100 cm.....39.37" depth .....136 cm.....53.54"
Package weight	10,2 kg / 22.49 lbs
Package size	width .....145 cm.....57.09" height .....13 cm.....5.12" depth .....107 cm.....42.13"

**PC Shelf (PC-Ablage)**

Weight	8,7 kg / 19.18 lbs
Dimensions	width .....132 cm .....51.97" height .....8,5 cm .....3.35" depth .....45 cm .....17.72"
Package weight	10,2 kg / 22,49 lbs
Package size	width .....134 cm.....52.76" height .....10 cm.....3.94" depth .....47 cm .....18.50"

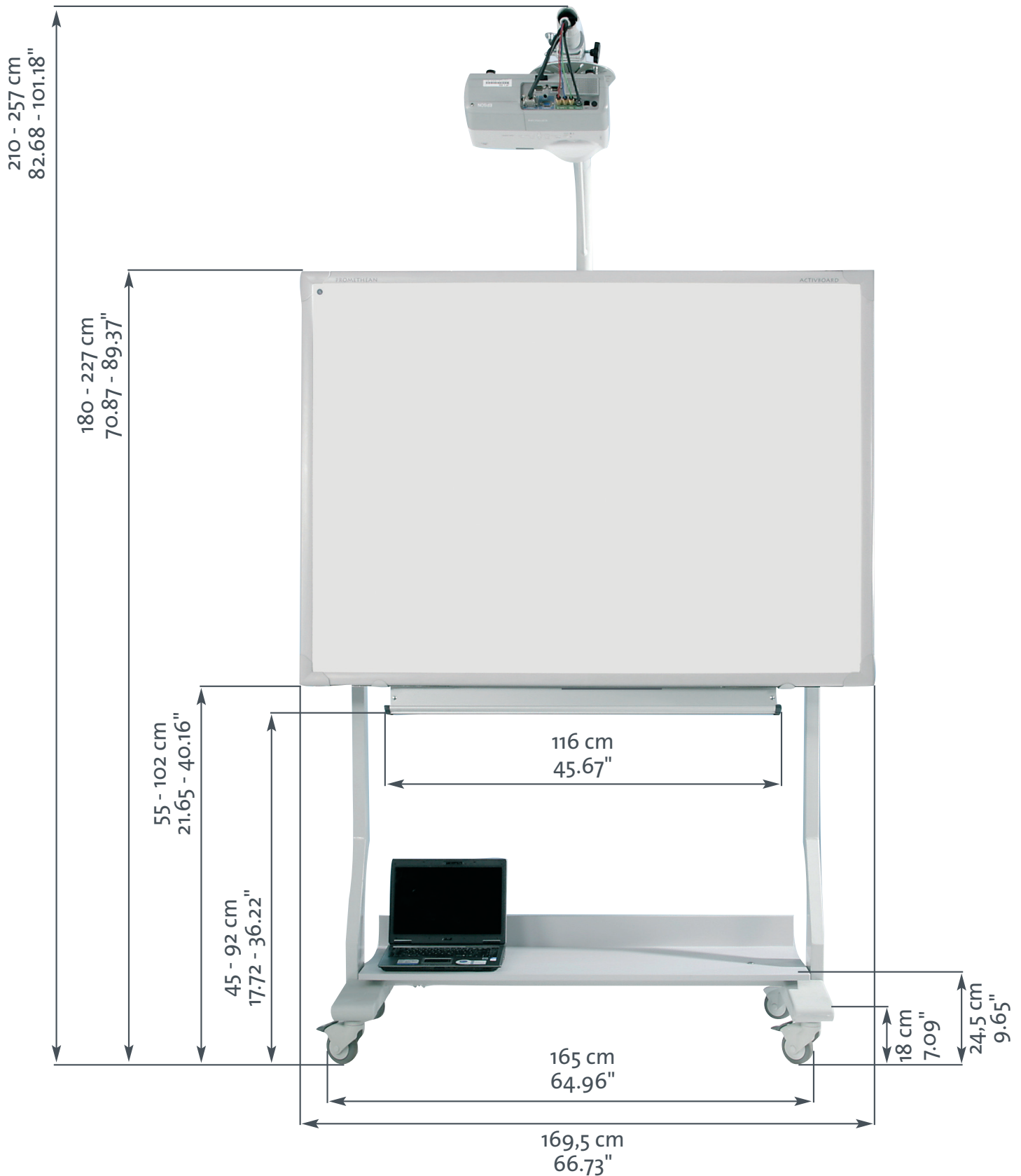
**Side view, spring mechanism mounted in upper position:**

(required ceiling height: 265 cm / 104.33")



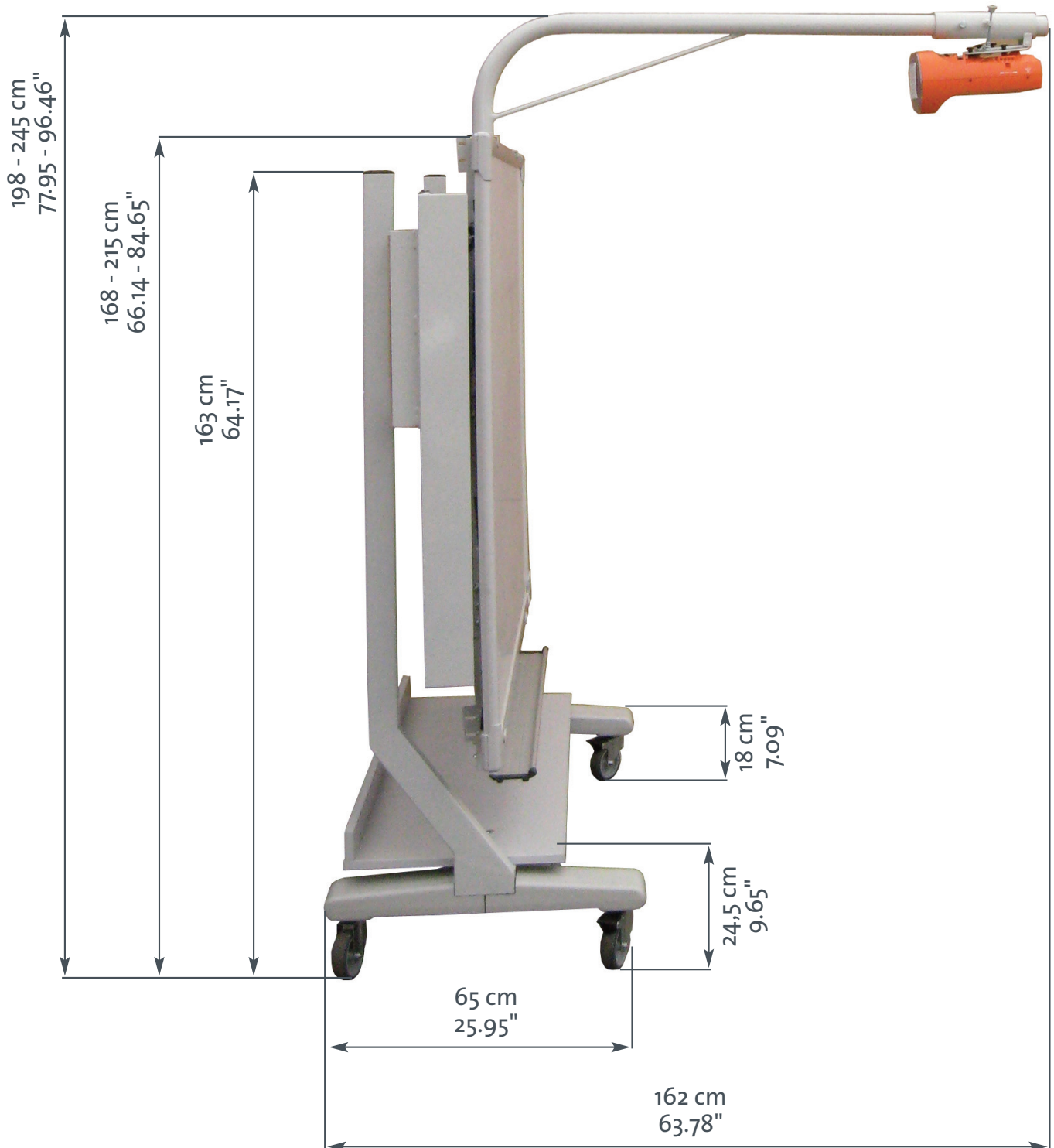
**Front view, spring mechanism mounted in upper position:**

(required ceiling height: 265 cm / 104.33")



**Side view, spring mechanism mounted in lower position:**

(required ceiling height: 253 cm / 99.61")



**Front view, spring mechanism mounted in lower position:**

(required ceiling height: 253 cm / 99.61")

